

SOLUTIONS

for

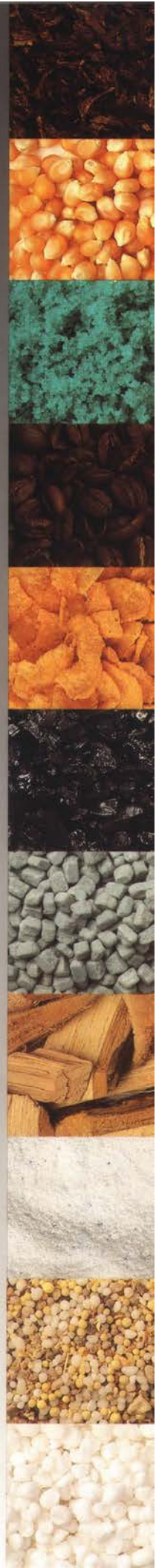
SOLIDS PROCESSING

Rental Fluid Bed Systems

We Make Your Work Flow

Carrier

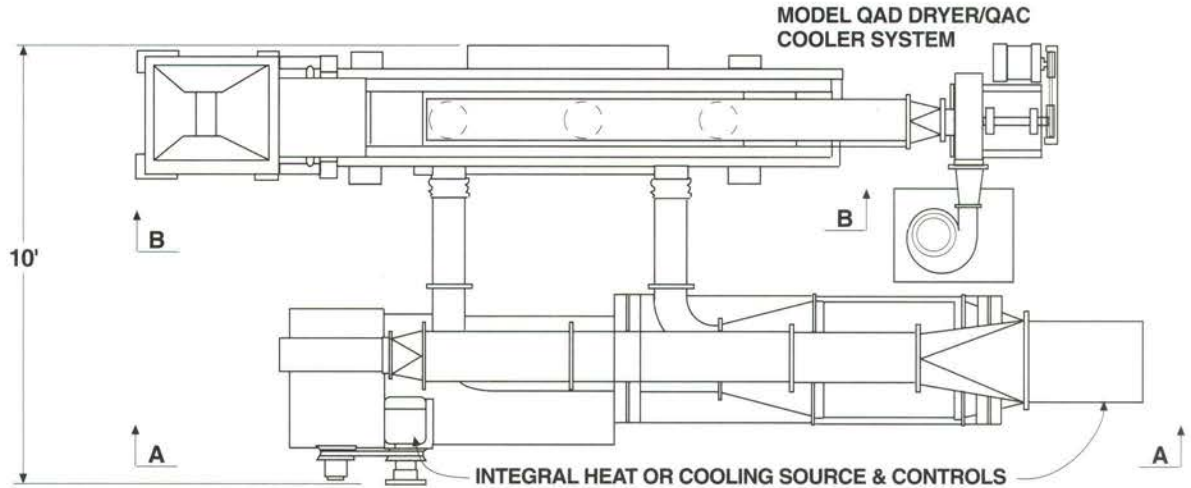
Vibrating Equipment, Inc.



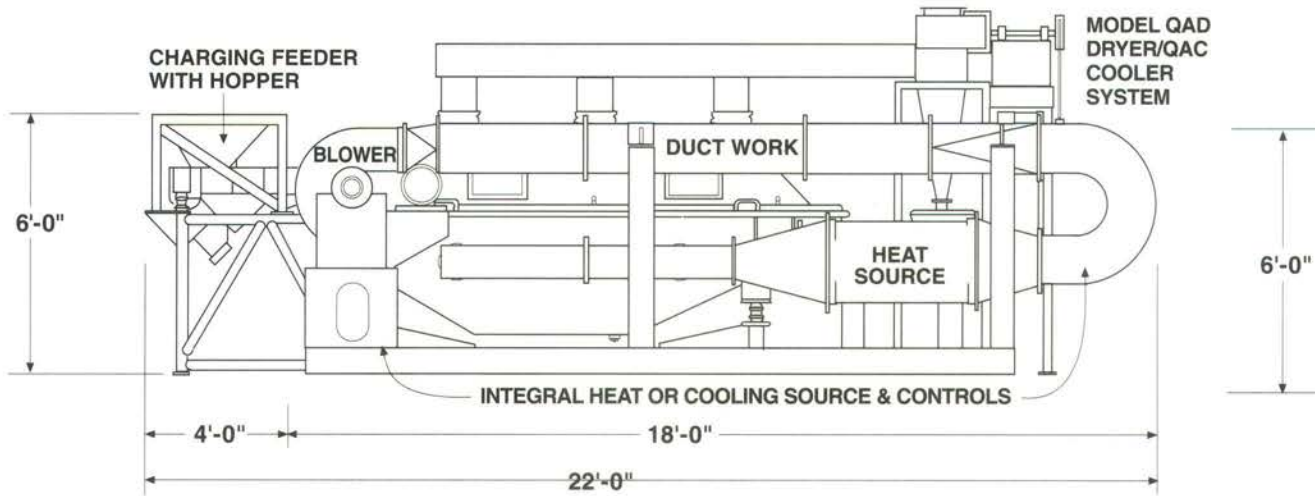


RENTAL TEST PROCESS EQUIPMENT

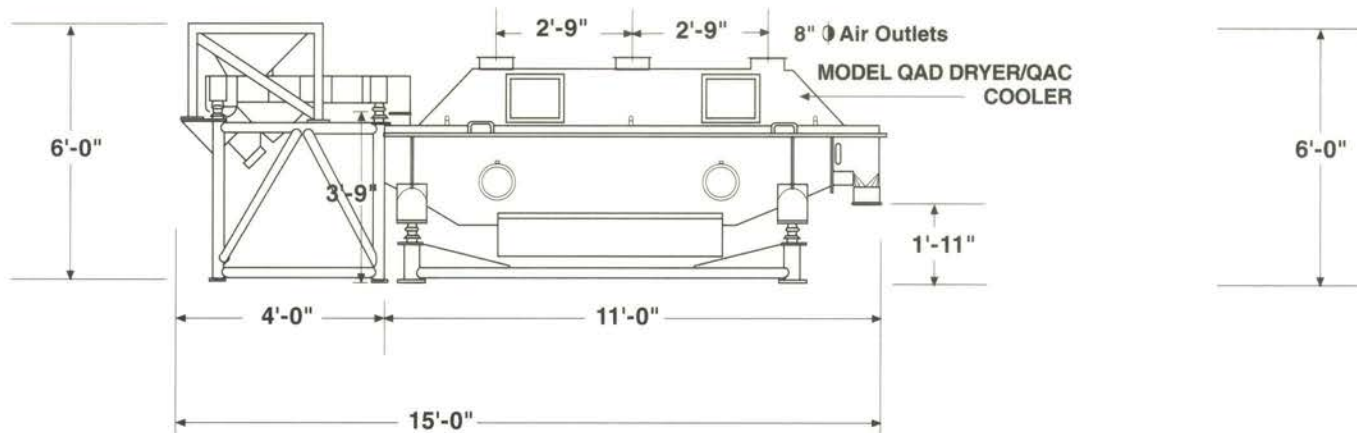
Continuous Vibrating Fluid Bed Systems



PLAN VIEW



VIEW A-A



VIEW B-B

WE MAKE YOUR WORK FLOW

Since our origin in 1950, Carrier has been recognized as the industry leader in designing and building bulk material handling equipment. From fine powders to bulky ores, our unique method of **PROCESSING WITH VIBRATION** has served major industries around the world with reliable, efficient systems.

Our Fluid Bed System Rental Packages are especially designed for testing your products within your processing operations. Available in BATCH or CONTINUOUS type, each component of the rental systems is assembled on a portable frame. Set each piece in place - connect utilities - and you're ready to operate.

Continuous Vibrating Fluid Bed Systems Rental Package:

MODEL QAD DRYER or QAC COOLER including:

- Adjustable Drive with 2HP Motor
- Patented Drilled Deck
- Stainless Steel Exhaust Hood

INTEGRAL GAS OR STEAM HEAT SOURCE including:

- Supply Blower with 7.5 HP Motor
- Gas Fired Burner (1 MBTU) or Steam Coils
- Process Control Panel with Starters
- Temperature Controllers and Indicators

CHARGING FEEDER with HOPPER and SPEED CONTROL (1HP Motor)

DUCTWORK (EXHAUST HEADER with Air Spouts)

CYCLONE DUST COLLECTOR

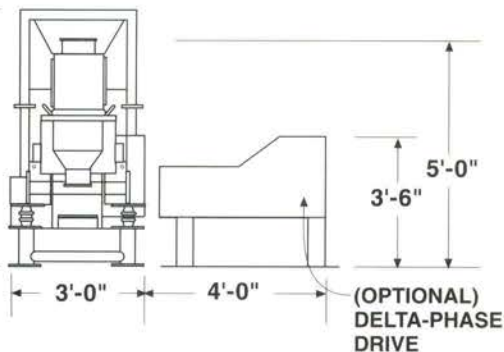
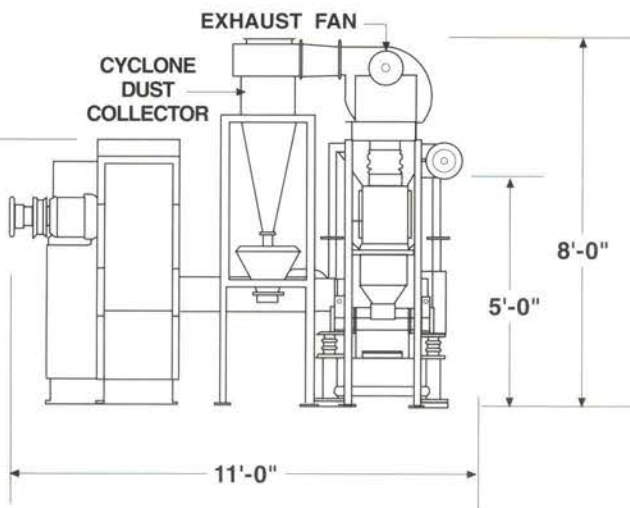
EXHAUST FAN with Starter (7.5 HP Motor)

NOTE:

The control panel includes Motor Starters and Instrumentation to measure AIR VOLUME, STATIC PRESSURE, AIR and PRODUCT TEMPERATURES.

All Equipment can be wired for 230 or 460 Volt operation. The Gas-fired Burner requires 1 Psi gas. If Steam Heat is preferred, indicate available pressure.

Multiple Units and Custom Arrangements are available.



*Batch Vibrating Fluid Bed Systems***Batch Vibrating Fluid Bed System
Rental Package:****BATCH PROCESSOR UNIT including:**

- Processing Area of 1 Square Foot
- Patented Drilled Deck Assortment
- Adjustable Vertical Stroke Drive with 2 HP
- Exhaust Hood with View Ports

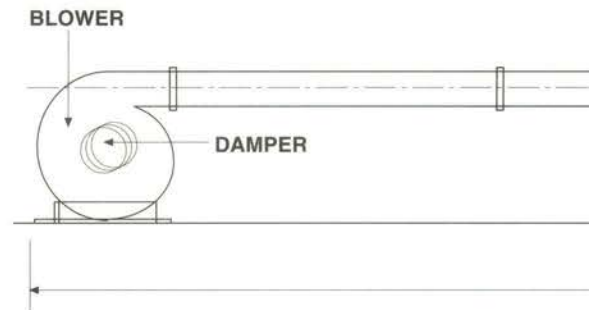
**INTEGRAL STEAM OR ELECTRIC
HEAT SOURCE including:**

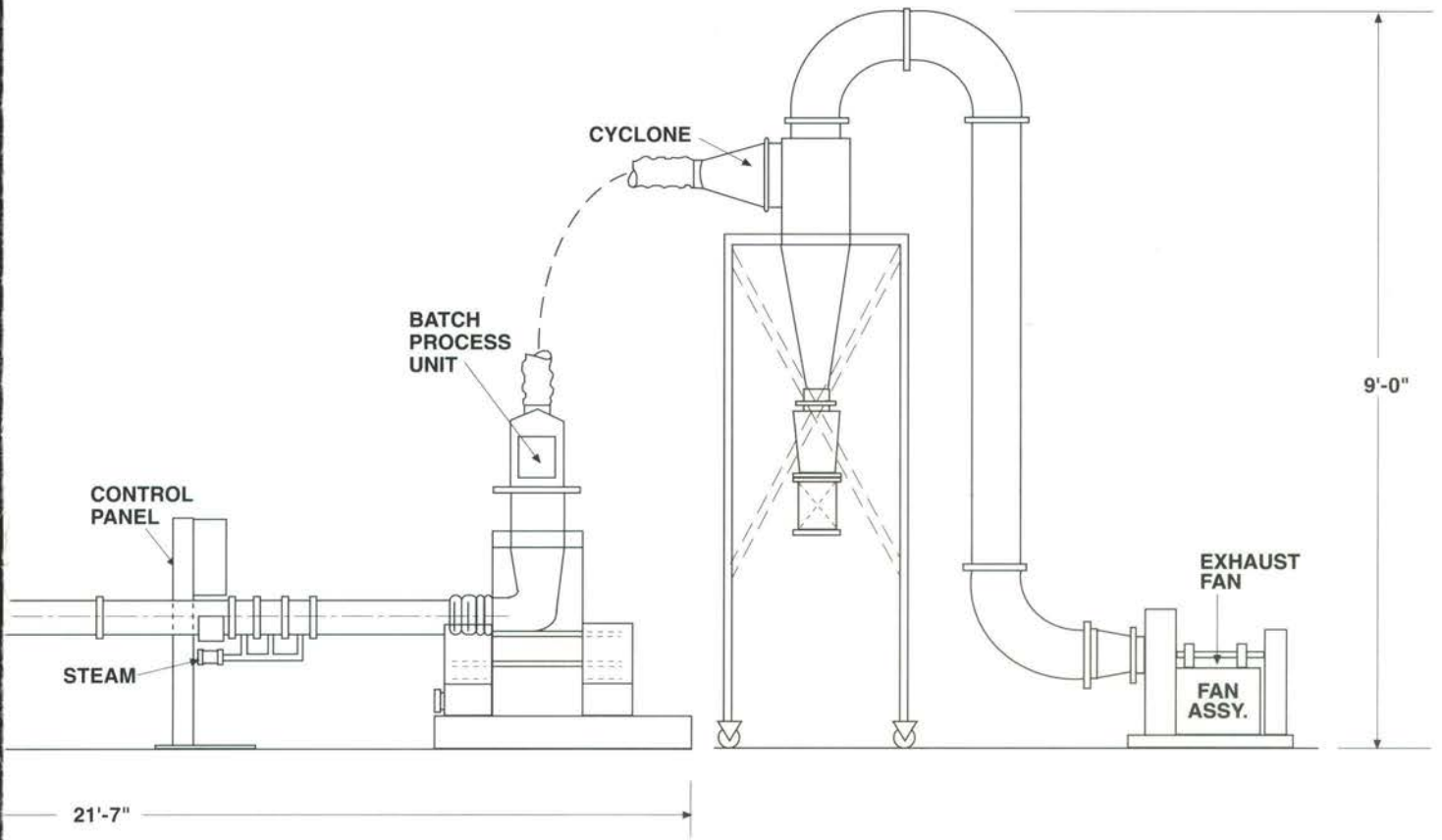
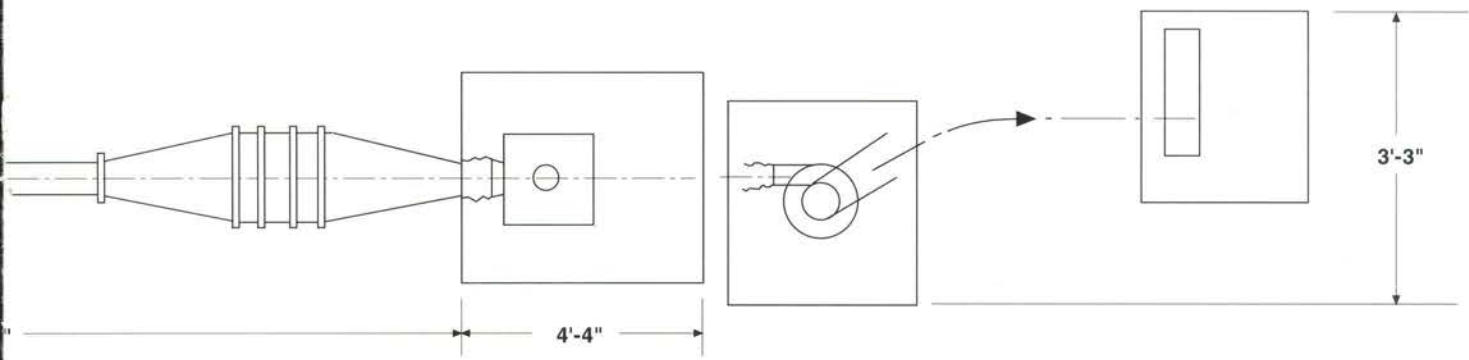
- Supply Blower with 5 HP Motor
- Electric Heater (30 KW) or Steam Coils
- Process Control Panel with Starters
- Temperature Controllers and Indicators

CYCLONE DUST COLLECTOR**EXHAUST FAN with Starter
(5 HP Motor)****NOTE:**

The control panel includes Motor Starters and Instrumentation to measure AIR VOLUME, STATIC PRESSURE, AIR and PRODUCT TEMPERATURES.

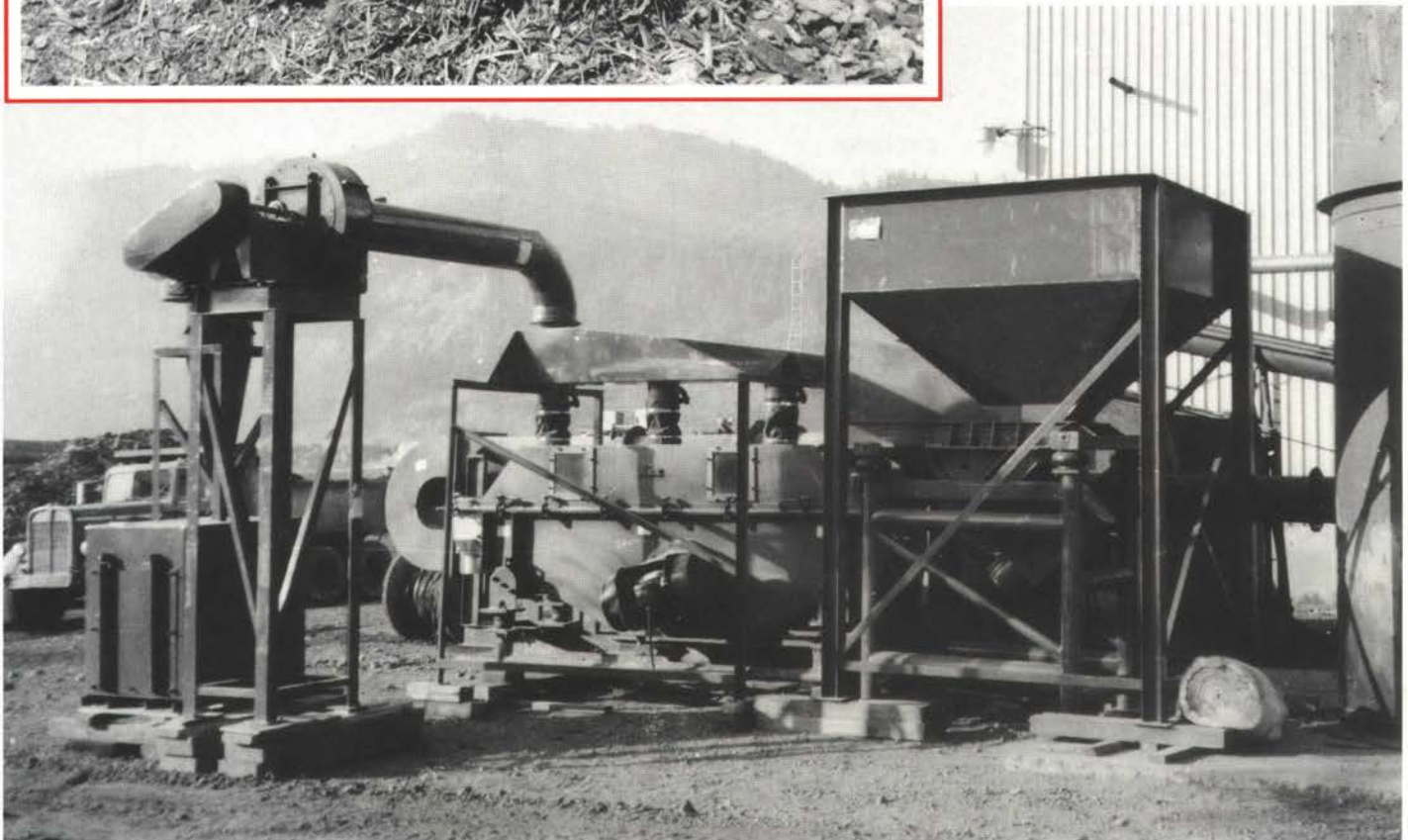
The System requires 460 Volts service. If Steam Heat is preferred, indicate available pressure.







Carrier's Fluid Bed System Rental Packages are instrumented for complete spectrum testing at your job site to gather necessary data for proper design.



Verifying all process parameters with testing assures system performance. Carrier makes it easy for you to process test your product in your plant. Nominal rental fees may be applied to purchase of new equipment through rental/purchase agreement. **ASK FOR OUR RENTAL CONTRACT.** *Contact your local Representative or our Engineering Department.*



FLUID BED DRYER/COOLER

Application Information Necessary to Complete Design Calculations:

Company Name		Date	
Address			
Installation Site			
Person in Charge of Project		Project Reference No.	
PROCESSING PURPOSE	<input type="checkbox"/> Drying <input type="checkbox"/> Heating <input type="checkbox"/> Cooling <input type="checkbox"/> Calcination <input type="checkbox"/> Sterilizing <input type="checkbox"/> Others _____		
NAME AND CHEMICAL COMPOSITION OF MATERIAL TO BE PROCESSED			
PHYSICAL PROPERTIES	Softening: _____ °F _____ °C		Melting: _____ °F _____ °C
	Stickiness: _____ °F _____ °C		Others: _____ : _____ °F _____ °C
	Specific Heat: _____		BTU/lb. - °F Kcal/Kg - °C
	Specific Gravity: _____		Bulk Gravity: _____ PCF
	Average Grain Size: _____		<input type="checkbox"/> Mesh <input type="checkbox"/> Micron
	Max. Grain Size : _____		<input type="checkbox"/> Mesh <input type="checkbox"/> Micron
Min. Grain Size : _____		<input type="checkbox"/> Mesh <input type="checkbox"/> Micron	
PROCESSING CONDITION	Feeding Condition		Outlet (Exit) Condition
TEMPERATURE	_____ °F _____ °C		_____ °F _____ °C
WATER CONTENT	_____ % <input type="checkbox"/> Wet Basis		_____ % <input type="checkbox"/> Wet Basis
	_____ % <input type="checkbox"/> Dry Basis		_____ % <input type="checkbox"/> Dry Basis
Non-Water Vapor: Boiling Point : _____ °F _____ °C		Recovery of Evaporating Liquid:	
Latent Heat for Evaporation: _____ BTU/lb. _____ Kcal/Kg		<input type="checkbox"/> Necessary <input type="checkbox"/> Unnecessary	
PROCESSING CAPACITY	_____ Lbs. _____ Kg./Hr.		<input type="checkbox"/> Wet Basis <input type="checkbox"/> Dry Basis
HEAT MEDIA	Steam/Vapor: _____ °F _____ °C @ _____ PSI _____ Kg/cm ²		
	Hot Water : _____ °F _____ °C		
	Gas Natural <input type="checkbox"/> @ _____ PSI • Propane <input type="checkbox"/> @ _____ PSI • Oil _____		
	Cold Water : _____ °F _____ °C @ _____ PSI _____ Kg/cm ²		
Other Source: _____ : _____ °F _____ °C @ _____ PSI _____ Kg/cm ²			
DESIGN AMBIENT:	_____ °F _____ °C @ _____ % R.H. Summer		
AIR CONDITION:	_____ °F _____ °C @ _____ % R.H. Winter		
CONSTRUCTION MATERIAL			
ELECTRIC SERVICE			
SCOPE OF SUPPLY			



THE STANDARD OF EXCELLENCE IN BULK MATERIAL HANDLING AND PROCESSING EQUIPMENT

Fluid Bed Dryer/Cooler Systems, Conveyors, Spiral Elevators, Feeders, Shakeouts
Screens, Bin Activators, Pile Dischargers

CARRIER VIBRATING EQUIPMENT, INC. and VIBRANETICS DIVISION of CARRIER
3400 Fern Valley Road • P. O. Box 37070 • Louisville, Kentucky 40233 • (502) 969-3171 • FAX: (502) 969-3172
www.carriervibrating.com • e-mail: cve@carriervibrating.com

CARRIER Vibrating Equipment (CANADA) Ltd. • Aurora, Ont. • (905) 727-3185 • FAX: (905) 727-3187
CARRIER Europe, SCA • Nivelles, Belgium • 32-67-883-753 • FAX: 32-67-883-688
Representation: USA, CANADA, MEXICO, KOREA, P.R. CHINA, TAIWAN
Licensees: India, Japan, Sweden

Reproduction or transmission of all or any part of the information contained herein is unauthorized without the written consent of Carrier Vibrating Equipment, Inc. UNAUTHORIZED DUPLICATION OR REPRODUCTION OF THIS INFORMATION IS A VIOLATION OF FEDERAL LAW.